

# Data sheet Quadax® - gate valve replacement butterfly valve



## body details

<b>butterfly valve:</b>	bare shaft
<b>pressure range:</b>	PN 0-160 bar
<b>orifice:</b>	DN 80-1000 mm
<b>connection:</b>	flange
<b>body materials:</b>	carbon steel, stainless steel, special material (duplex, inconell, bronze)
<b>valve seat materials:</b>	inconell, others on request
<b>seal materials:</b>	graphite / stainless steel, inconell, stainless steel, PTFE



Above stated body materials refer to the valve port connections that get in contact with the media only!

## details needed

size
pipe connection
operating pressure
flow rate
$\Delta p$
closing time
media
process temperature
outside temperature



The valves' technical design is based on media and application requirements. This can lead to deviations from the general specifications shown on the data sheet with regards to the design, sealing materials and characteristics.

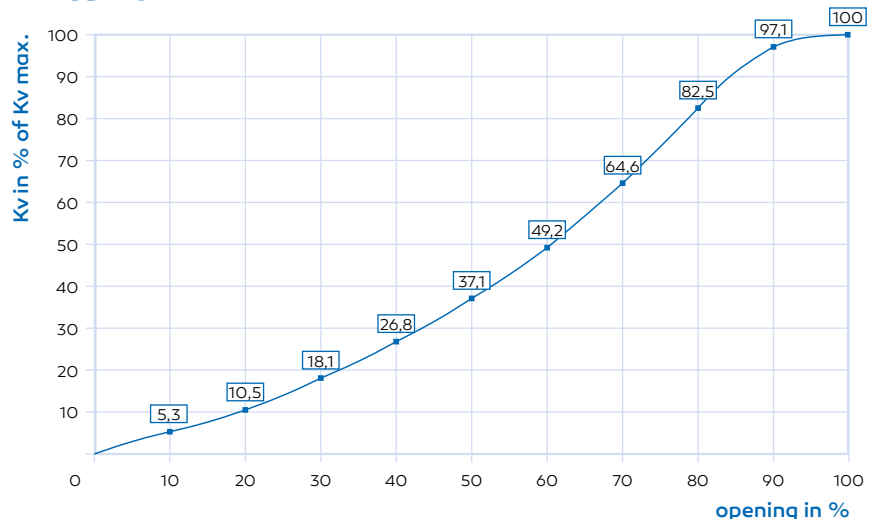


If order or application specifications are incomplete or imprecise there exists a risk of an incorrect technical design of the valve for the required application. As a consequence, the physical and / or chemical properties of the materials or seals used, may not be suitable for the intended application.

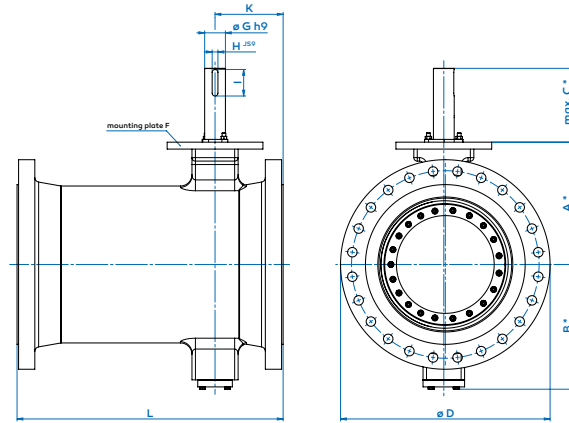
## general specifications

<b>ports</b>	flange	PN 10 / 16 / 25 / 40 / 63 / 100 / 160 ANSI 150 / 300 / 600 / 900
<b>function</b>	NC / NO / DA	depending upon actuator
<b>pressure range</b>	body pressure $\Delta p$ standard shaft $\Delta p$ optional shaft	0 to 160 bar 52 bar in both directions 100 bar in both directions
<b>Kv value</b>	m <sup>3</sup> /h	see table 1 DIN 3230
<b>leakage rate</b>		A DIN EN 12266 BS 6364 Fire safe
<b>flow direction</b>	A $\rightarrow$ B	as marked
<b>switching time</b>	s	DN/100
<b>process- and outside temperature</b>	standard with special materials	-10 °C to +450 °C -270 °C to +800 °C
<b>limit switches</b>		option
<b>approvals</b>		PED / Fire safe / BAM / TA Luft / ATEX in further
<b>weight</b>	kg	see table
<b>additional equipment</b>		upon request

## Kv-curve



# Data sheet Quadax® - gate valve replacement butterfly valve



\* dimensions for trim X only

## Dimensions

size	(mm)	80	100	125	150	200	250	300	350	400	450	500	600	700	750	800	900	1000	
	(inch)	3	4	5	6	8	10	12	14	16	18	20	24	28	30	32	36	40	
pipe cl to mounting plate	A	128	162	190	203	240	279	305	325	385	405	440	530	630	630	700	830	920	
pipe cl to cover screws	B	129	158	186	204	241	281	307	333	383	403	441	541	643	643	713	836	926	
bare shaft length for direct mounting	C	95	125	135	145	180	180	180	280	289	300	320	320	367	367	367	398	398	
bare shaft length for adapter	C	51	68	68	68	85	85	85	173	170	170	170	170	210	-	-	-	-	
flange diameter	PN 10	D	200	230	250	295	352	405	455	515	565	615	670	780	895	970	1085	1115	1230
	PN 16	D	200	230	250	295	352	405	455	515	590	640	725	845	910	970	1085	1125	1255
	PN 25	D	200	230	270	295	352	425	485	550	620	680	725	845	960	1020	1085	1185	1320
	PN 40	D	200	230	270	295	375	450	515	585	660	680	770	908	-	-	-	-	-
	PN 63	D	215	250	295	345	415	470	530	600	670	-	-	-	-	-	-	-	-
	PN 100	D	230	265	315	355	430	505	585	655	-	-	-	-	-	-	-	-	-
	PN 160	D	230	265	315	355	430	515	585	-	-	-	-	-	-	-	-	-	-
	ANSI 150	D	190	230	-	280	352	405	485	550	590	640	700	815	927	984	1085	1168	1290
	ANSI 300	D	210	254	-	320	380	445	515	585	660	710	770	908	1035	1092	1149	1270	1238
	ANSI 600	D	210	275	-	355	420	508	560	605	685	745	815	940	1073	1130	1194	1315	1320
mounting plate F ISO 5211	(others on request)	F	F07	F10	F12	F14	F16	F16	F25	F30	F30	F35	F35	F40	F40	F40	F48	F48	
trim A	20 bar max.	G	-	-	-	-	-	40	45	50	55	55	70	90	90	100	110	120	
	290 psi max.	H	-	-	-	-	-	12	14	14	16	16	20	25	25	28	32	32	
		I	-	-	-	-	-	45	60	60	80	80	90	115	115	125	140	160	
trim X (standard)	52 bar max.	G	18	20	22	32	32	40	45	55	65	70	75	90	110	110	130	150	160
	754 psi max.	H	6	6	6	10	10	12	14	16	18	20	20	25	32	32	32	36	40
		I	28	28	40	40	40	45	60	80	88	90	90	115	140	140	180	180	200
trim B	104 bar max.	G	-	-	-	-	45	55	65	75	90	95	110	130	150	150	180	190	220
	1500 psi max.	H	-	-	-	-	14	16	18	20	25	25	32	32	36	36	45	45	50
		I	-	-	-	-	60	80	88	90	115	125	140	180	180	220	250	280	
trim C	155 bar max.	G	20	28	32	40	50	65	75	90	110	110	130	150	170	170	200	230	250
	2250 psi max.	H	6	8	10	12	14	18	20	25	32	32	32	36	40	40	45	50	56
		I	28	40	40	45	60	88	90	115	140	140	180	180	200	200	240	280	320
ANSI B16.10	ANSI 150	K	101	114	-	125	134	151	168	176	190	216	228	254	305	305	330	355	-
		L	203	229	-	267	292	330	356	381	406	432	457	508	610	610	660	711	-
	ANSI 300	K	102	110	-	125	134	151	168	176	190	217	240	290	345	375	395	445	-
		L	282	305	-	403	419	457	502	762	838	914	991	1143	1346	1397	1524	1727	-
	ANSI 600	K	112	126	-	153	165	181	194	207	218	240	251	299	345	375	395	445	-
		L	356	432	-	559	660	787	838	889	991	1092	1194	1397	1549	1651	1778	2083	-
Kv-value (m³/h)	trim A	Δp max. 20 bar	-	-	-	-	-	3837	5478	7944	10735	12921	20651	25473	32661	36123	47565	56131	
	trim X	Δp max. 52 bar	118	258	418	654	1445	2451	3720	5120	7321	9986	12118	19253	23081	30015	33343	43215	51398
	trim B	Δp max. 104 bar	-	-	-	-	1254	2123	3180	4459	6282	8738	10245	16458	19826	22286	28632	38954	44444
	trim C	Δp max. 155 bar	101	208	344	576	1164	1916	2926	3962	5659	7989	9442	15002	18231	21026	26779	34693	40870
cv-value (gal/min)	trim A	Δp max. 290 psi	-	-	-	-	-	4462	6370	9237	12483	15024	24013	29620	37978	42003	55308	65269	
	trim X	Δp max. 754 psi	137	300	486	760	1680	2850	4314	5953	8513	11612	14091	22387	26838	31702	38771	50250	59765
	trim B	Δp max. 1500 psi	-	-	-	-	1458	2469	3698	5185	7305	10160	11913	19137	23053	25914	33293	45295	51679
	trim C	Δp max. 2250 psi	117	242	400	670	1353	2228	3402	4607	6580	9290	10979	17444	21199	24658	31138	40341	47523
weight (standard)	(ca. kg)	22	30	42	52	92	118	196	287	378	494	602	823	944	1082	1240	1480	1610	