

Data sheet Quadax® - lug type butterfly valve



body details

butterfly valve:	bare shaft
pressure range:	0-913 psi
orifice:	NPS 2-40
connection:	flange
body materials:	carbon steel, stainless steel, special material (duplex, inconell, bronze)
valve seat materials:	inconell, others on request
seal materials:	graphite / stainless steel, inconell, stainless steel, PTFE



Above stated body materials refer to the valve port connections that get in contact with the media only!

details needed

size
pipe connection
operating pressure
flow rate
Δp
closing time
media
process temperature
outside temperature



The valves' technical design is based on media and application requirements. This can lead to deviations from the general specifications shown on the data sheet with regards to the design, sealing materials and characteristics.

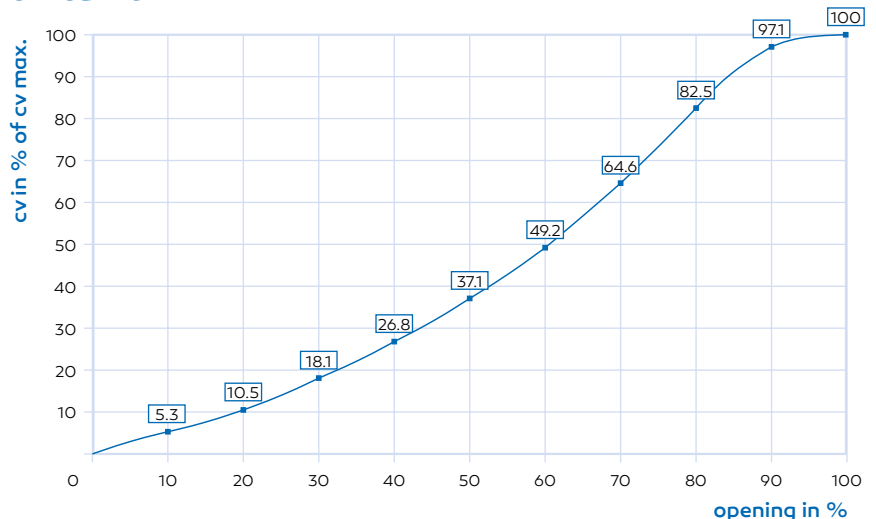


If order or application specifications are incomplete or imprecise there exists a risk of an incorrect technical design of the valve for the required application. As a consequence, the physical and / or chemical properties of the materials or seals used, may not be suitable for the intended application.

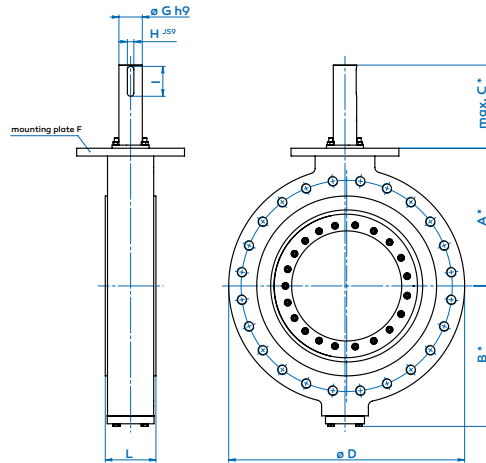
general specifications

ports	flange	ANSI 150 / 300 / 600
function	NC / NO / DA	depending upon actuator
pressure range	body pressure Δp standard shaft	0 to 913 psi 754 psi in both directions
cv value	gal/min	see table ANSI class VI
leakage rate		A DIN EN 12266 BS 6364 Fire safe
flow direction	A \rightarrow B	as marked
switching time	s	size/4
process- and outside temperature	standard with special materials	14 °F to +842 °F -454 °F to +1472 °F
limit switches		option
approvals		PED / Fire safe / BAM / TA Luft / ATEX in further
weight	lb	see table
additional equipment		upon request

cv-curve



Data sheet Quadax® - lug type butterfly valve



* dimensions for trim X only

Dimensions

size	(inch)	2	2½	3	4	5	6	8	10	12	14	16	18	20	24	28	30	32	36	40	
pipe cl to mounting plate	A	4.13	5.04	5.04	6.38	7.48	7.99	9.45	10.98	12.01	12.80	15.16	15.94	17.32	20.87	24.80	24.80	27.56	32.68	36.22	
pipe cl to cover screws	B	4.17	5.08	5.08	6.22	7.32	8.03	9.49	11.06	12.09	13.11	15.08	15.87	17.36	21.30	25.31	25.31	28.07	32.91	36.46	
bare shaft length for direct mounting	C	3.74	3.74	3.74	4.92	5.31	5.71	7.09	7.09	7.09	11.02	11.38	11.81	12.60	12.60	14.45	14.45	14.45	15.67	15.67	
bare shaft length for adapter	C	2.01	2.01	2.01	2.68	2.68	2.68	3.35	3.35	3.35	6.81	6.69	6.69	6.69	6.69	8.27	-	-	-	-	
flange diameter	ANSI 150	D	6.50	7.48	7.48	9.06	-	11.02	13.86	15.94	19.09	21.65	23.23	25.20	27.56	32.09	36.50	38.74	42.72	45.98	50.79
	ANSI 300	D	6.50	8.27	8.27	10.00	-	12.60	14.96	17.52	20.28	23.03	25.98	27.95	30.31	35.75	40.75	42.99	45.24	50	48.74
	ANSI 600	D	6.50	8.27	8.27	10.83	-	13.98	16.54	20	22.05	23.82	26.97	29.33	32.09	37.01	42.24	44.49	47.01	51.77	51.97
mounting plate F ISO 5211	(others on re-request)	F	F07	F70	F07	F10	F12	F14	F16	F16	F16	F25	F30	F30	F35	F35	F40	F40	F40	F48	F48
trim A	290 psi max.	G	-	-	-	-	-	-	-	1.57	1.77	1.97	2.17	2.17	2.76	3.54	3.54	3.94	4.33	4.72	
		H	-	-	-	-	-	-	-	0.47	0.55	0.55	0.63	0.63	0.79	0.98	0.98	1.10	1.26	1.26	
		I	-	-	-	-	-	-	-	-	1.77	2.36	2.36	3.15	3.15	3.54	4.53	4.53	4.92	5.51	6.30
trim X (standard)	754 psi max.	G	0.55	0.55	0.71	0.79	0.87	1.26	1.26	1.57	1.77	2.17	2.56	2.76	2.95	3.54	4.33	4.33	5.12	5.91	6.30
		H	0.20	0.22	0.24	0.24	0.24	0.39	0.39	0.47	0.55	0.63	0.71	0.79	0.79	0.98	1.26	1.26	1.26	1.42	1.57
		I	0.98	1.10	1.10	1.10	1.57	1.57	1.57	1.77	2.36	3.15	3.46	3.54	3.54	4.53	5.51	5.51	7.09	7.09	7.87
API 609	ANSI 150	L	1.69	1.69	1.89	2.13	-	2.24	2.52	2.80	3.19	3.62	4.02	4.49	5.50	6.06	-	-	-	-	-
	ANSI 300	L	1.69	1.69	1.89	2.13	-	2.32	2.87	3.27	3.62	4.61	5.24	5.87	6.26	7.13	-	-	-	-	-
	ANSI 600	L	1.69	2.13	2.13	2.52	-	3.07	4.02	4.61	5.51	6.10	7.01	7.87	8.50	9.13	-	-	-	-	-
cv-value (gal/min)	trim A	Δp max. 290 psi	-	-	-	-	-	-	-	4462	6370	9237	12483	15024	24013	29620	37978	42003	55308	65269	
	trim X	Δp max. 754 psi	44	137	137	300	486	760	1680	2850	4314	5953	8513	11612	14091	22387	26838	31702	38771	50250	59765
weight (standard)	(approx. lb)	18	35	35	49	71	86	150	282	331	487	703	769	1008	1576	2242	2652	2945	3845	5439	